



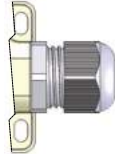
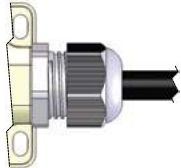


JAN (M8) Junction Blocks

4 Port, 3 Pin JAN Junction blocks

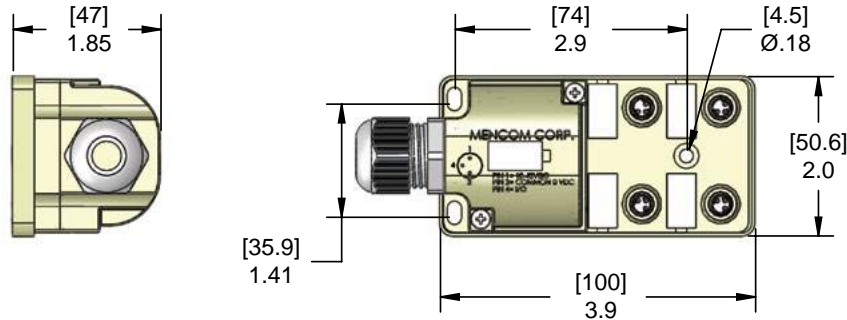


Field Wireable | Cable | MIN Receptacle | MIN Receptacle | IP67 Rating



Trunk Style	Trunk Connection	Part Number		
		No LED	PNP	NPN
	Field Wireable 24 AWG - 16 AWG	JAN-430-006-F000	JAN-43P-206-F000	JAN-43N-206-F000
	Black PUR AWM 20233 With With Mylar Shield 22 AWG Drain Wire 3 x 18 AWG 4 x 22 AWG 8.1mm OD	JAN-430-006-C**	JAN-43P-206-C**	JAN-43N-206-C**
	MIN Size I 6 Pole Male Receptacles	JAN-430-006-M000	JAN-43P-206-M000	JAN-43N-206-M000
	M12 8 Pole Male Receptacle	JAN-430-008-E000	JAN-43P-208-E000	JAN-43N-208-E000

** Lengths in meters. Standard Cable lengths are 2m, 5m and 10m. Consult factory for other lengths.



JAN Junction Blocks

S

Specifications:

Ratings:	3 A per Connector 8 A per Block	Inserts:	Polyamide
Voltage:	Without LEDs: 0-150 Volt Max With LEDs: 48 VDC Max in accordance with LED Configuration	Port Coupling Nuts:	PBT
Body:	Polypropylene	O-Ring:	BUNA-N
		LED Lens:	Polycarbonate
		Contacts:	Copper Alloy with Gold Plating
		Marker Tags:	Polyamide (supplied on all units)

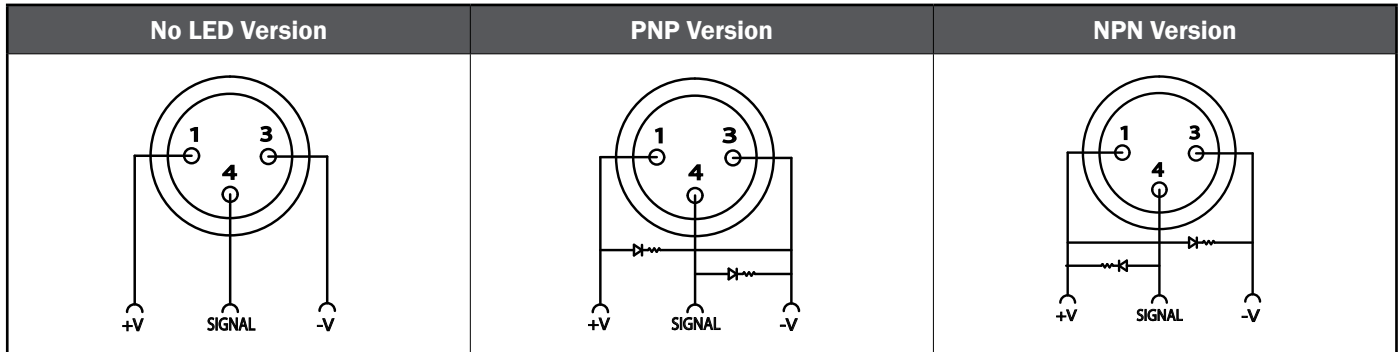


JAN (M8) Junction Blocks

4 Port, 3 Pin JAN Junction blocks



Field Wireable | Cable | MIN Receptacle | MDC Receptacle | IP67 Rating



Function	MIN-6MR Receptacle Version	MDC-8MR Receptacle Version	Cable Version
	 7/8"-16UN2	 M12 x 1	Cable O.D. 8.9 mm
+ V	PIN #6	PIN #5	Brown
- V	PIN #3	PIN # 1	Blue
PORT 1 PIN 4 (L4)	PIN #2	PIN #2	White
PORT 2 PIN 4 (L4)	PIN #1	PIN #3	Green
PORT 3 PIN 4 (L4)	PIN #5	PIN #4	Yellow
PORT 4 PIN 4 (L4)	PIN #4	PIN #2	Gray
Mating Plug	MIN-6FP-*	MDCP-8FP-**	

* Length in feet. Standard Cable lengths are 3, 6, 12, 20, 30 & 50 feet. Consult factory for other lengths.

** Lengths in meters. Standard Cable lengths are 1, 2, 4, 5, 6, 10 & 15 meters. Consult factory for other lengths.